

MTG-GL-175

REPLACES
DRAWING NUMBER
AO1B-3B

ISSUE
9

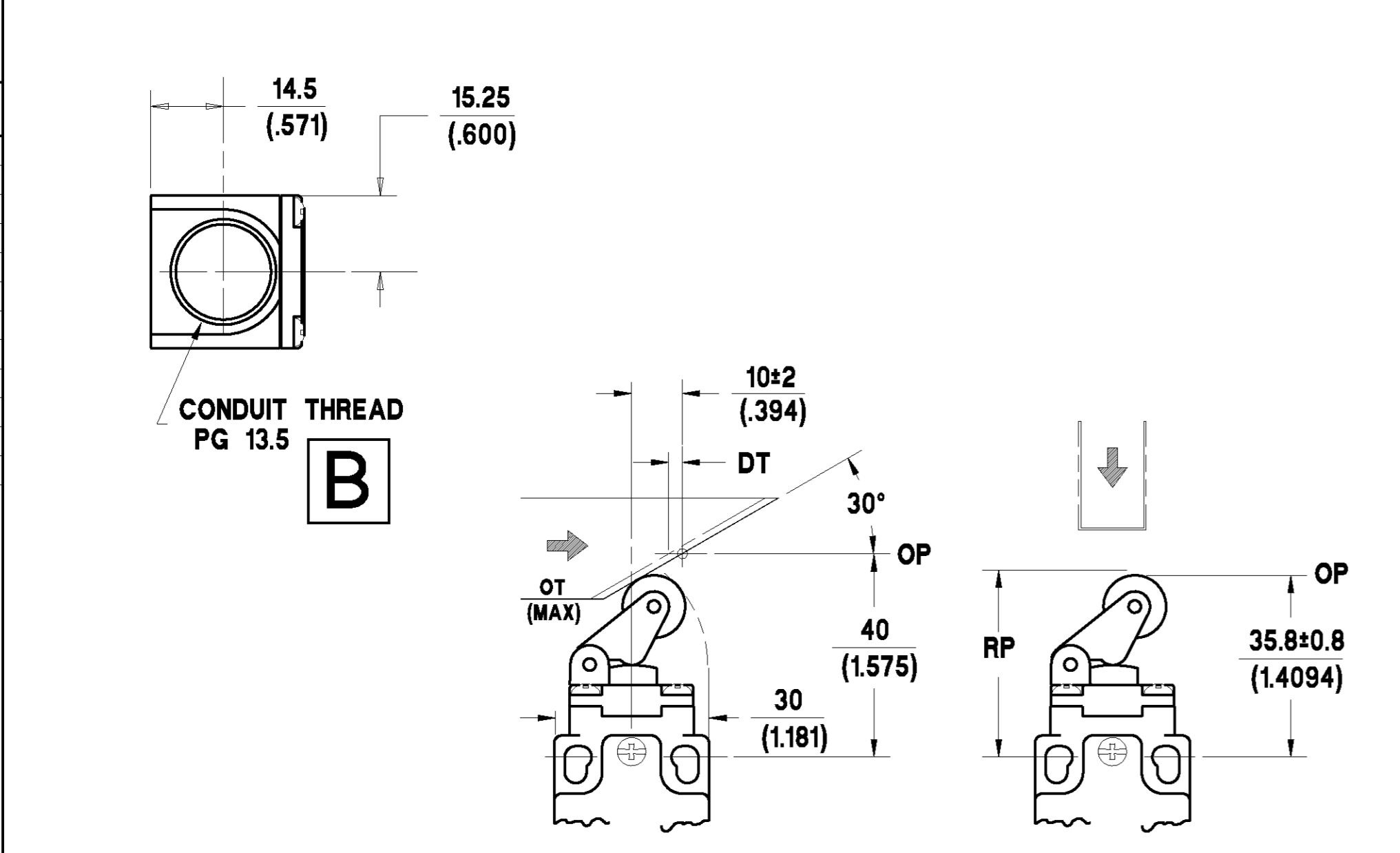
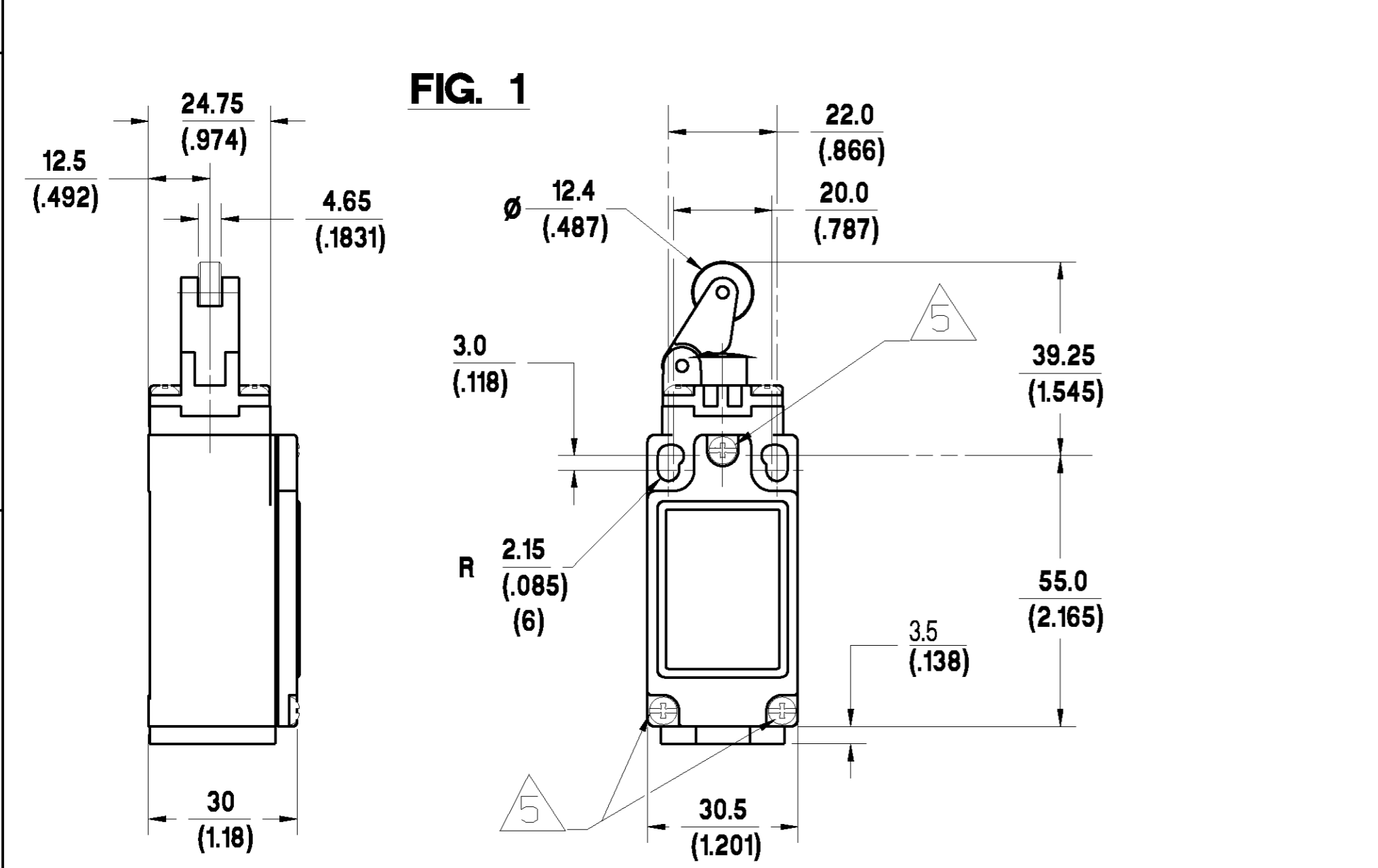
RELEASE NUMBER
AO1B-3B

REVISIONS

5	7/96
6	12/96
7	7/97
8	8/97
9	CO/395
1	WEIR 6/99

Honeywell **LIMIT SWITCH**

CATALOGUE LISTING
GLS
CHART NO.
MTG-GL-175

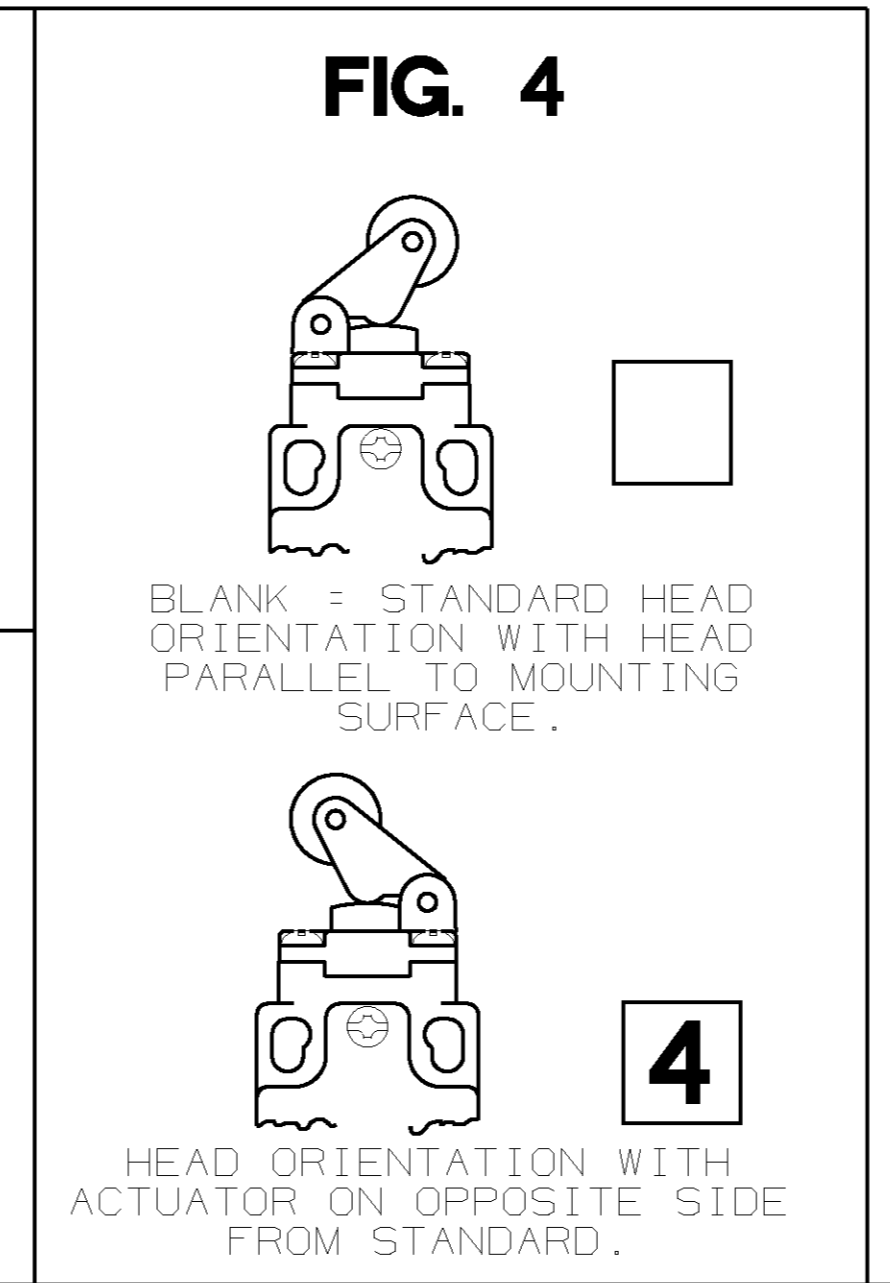
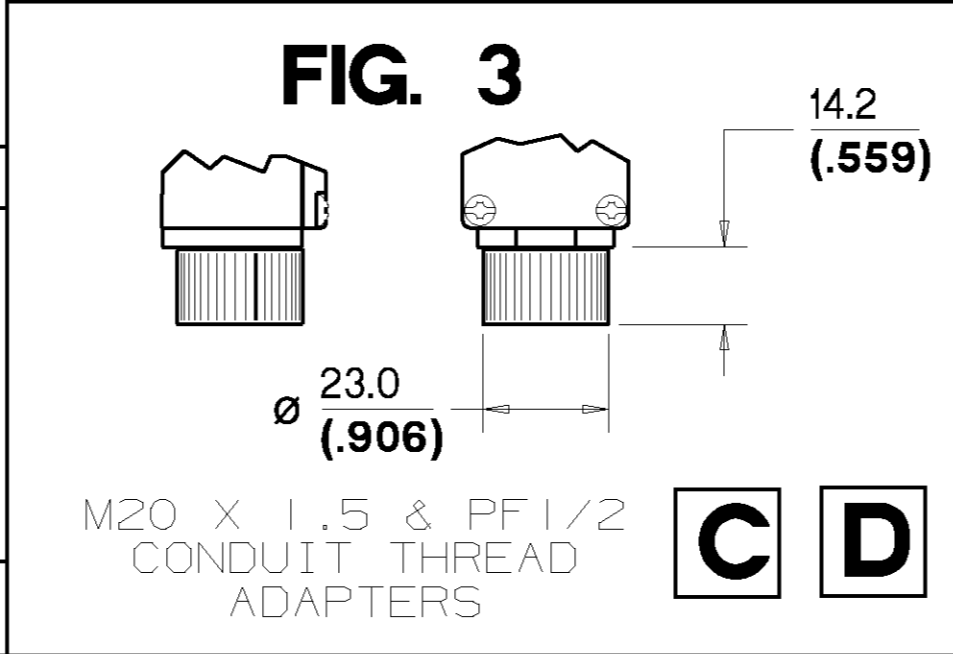
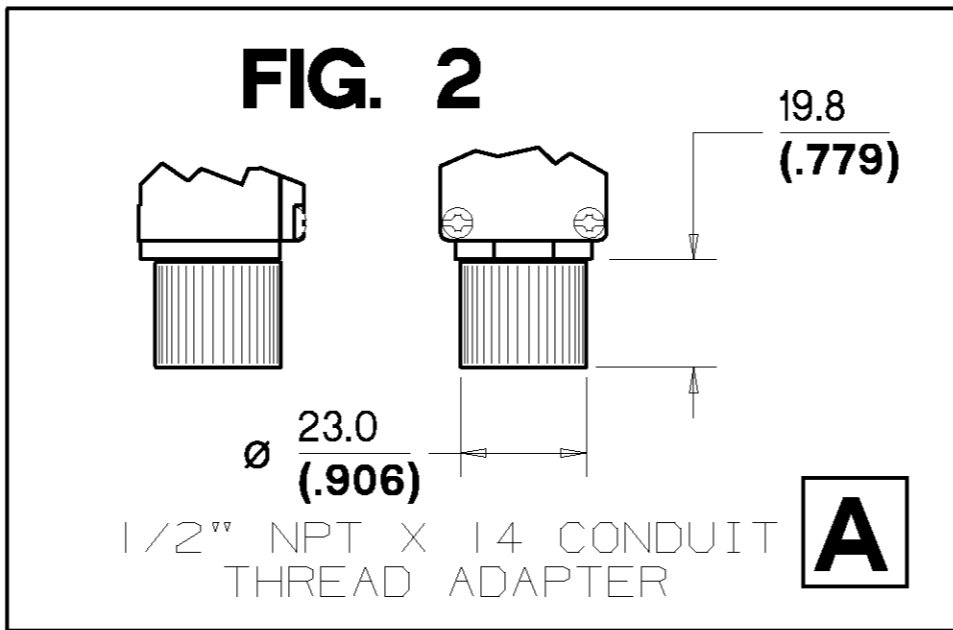
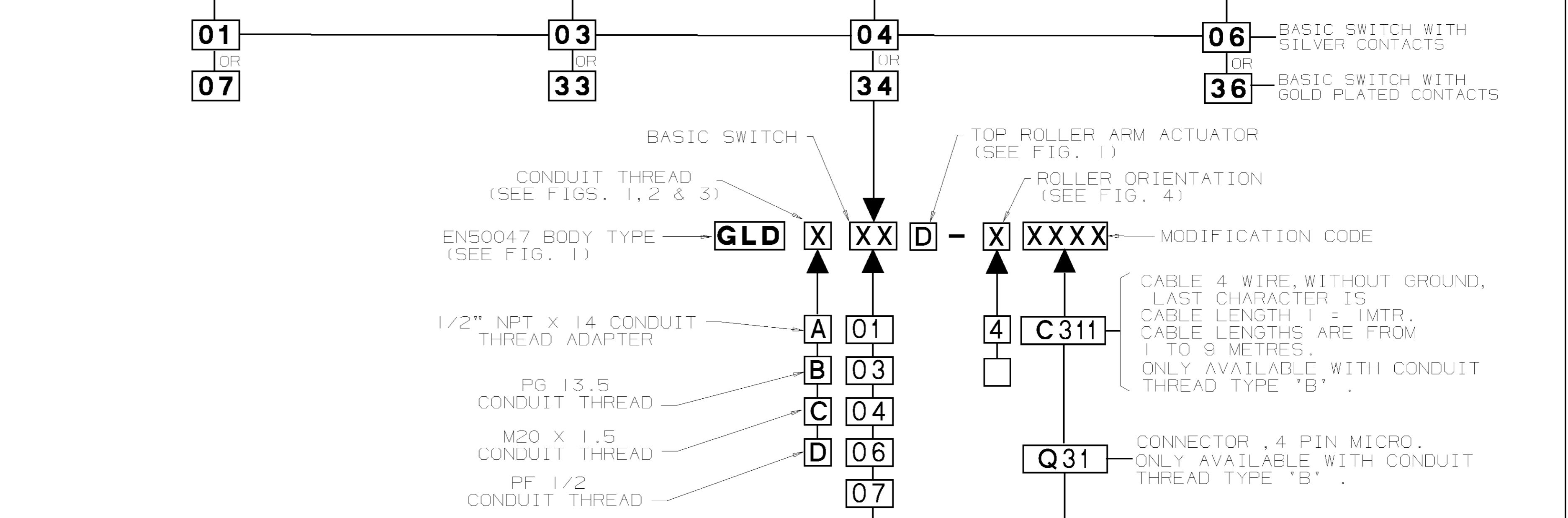
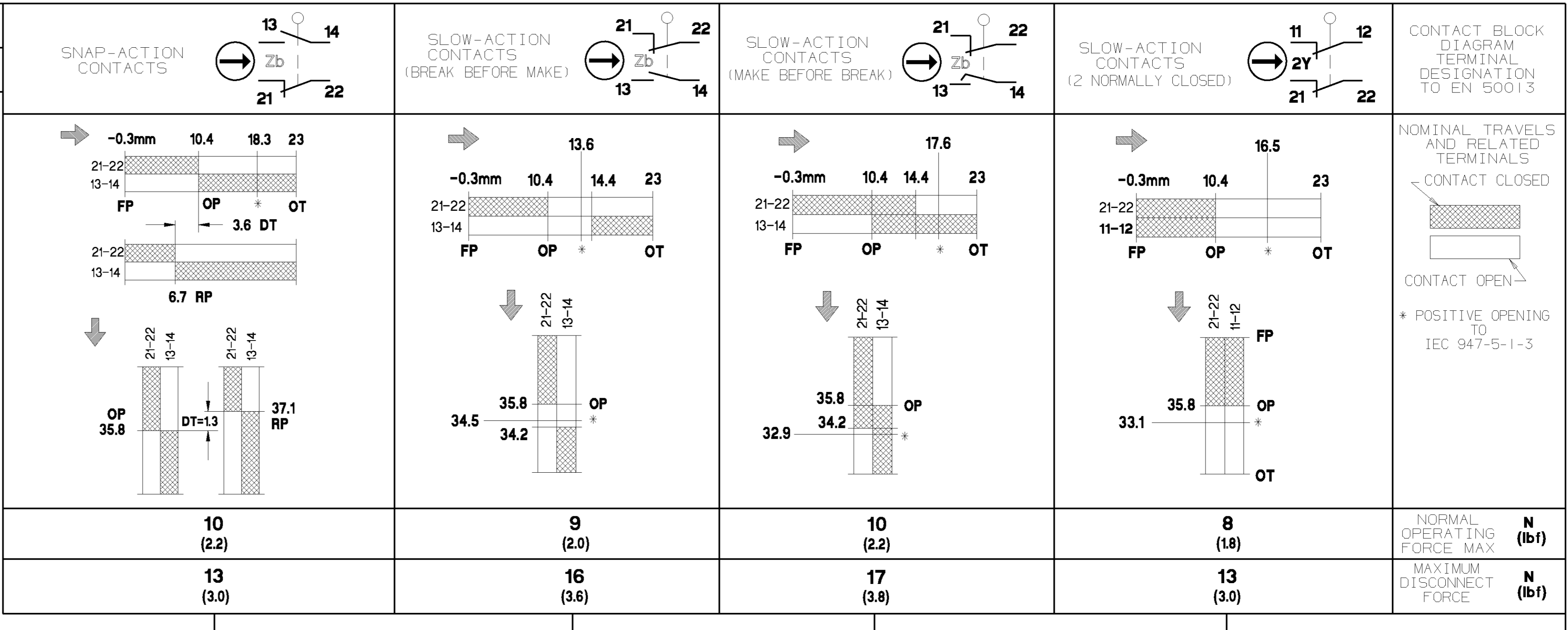


NOTES:-

- MICRO SWITCH BLUE GLASS FILLED POLYESTER HOUSING & COVER. BLACK GLASS FILLED POLYAMIDE HEAD.
- ENCLOSURE DOUBLE INSULATED TO IEC 539 CLASS II.
- MINIMUM OPERATING VELOCITY (V_{min}) = 1.0 MM/S (THESE LIMITS APPLY TO CAM OPERATION AS SHOWN IN THE ABOVE DIAGRAMS ONLY)
MAXIMUM OPERATING VELOCITY (V_{max}) = 100 MM/S
MAXIMUM OPERATING FREQUENCY (F_{max}) = 250 OPS/MIN
- FREE POSITION (FP), OPERATING POINT (OP), OVERTRAVEL (OT) AND PRETRAVEL (PT) ALL TO EN50047.

△ MAXIMUM TIGHTENING TORQUE FOR FIXING SCREW = 0.5Nm (4.4in.LB)

NO CHANGES CAN BE MADE TO THIS DRAWING WITHOUT JOINT NEWHOUSE/FREEPORT APPROVAL



NOTE:- ANY STANDARD LISTING WITH SUFFIX 'RS' OR 'FE' IS PERMITTED.

NOTE: FOR CONNECTION DIAGRAMS AND ADDITIONAL ELECTRICAL, ENVIRONMENTAL & DIMENSIONAL INFORMATION SEE DRAWING GL-49212.

3/93	3/93	3/93	IEC 947-5-1 ELECTRICAL RATING		
DRAWN M. LOCH	CHECK I. WEIR	DESIGN J. BOYD	SILVER CONTACTS		
			AC	DC	
A600 AC15 Ue Ie		A500 AC15 Ue Ie	GOLD PLATED CONTACTS		
120 5 240 5 380 1.5 480 1.5 500 1.4 600 1.4		0300 DC13 Ue Ie	I _{th} = 10A		
120 5 240 5 380 1.5 480 1.5 500 1.4 600 1.4		250 0.27	1V 10µA MIN. 50V 100mA MAX.		
TEMP RANGE : -25° C TO 85° C -13° F TO 185° F		STORAGE : -40° C TO 85° C -40° F TO 185° F		APPROVALS UL IEC 947-5-1 EN50047	
SHOCK : 50G PER IEC 68-2-27		VIBRATION : 10G PER IEC 68-2-6			
THE COPYRIGHT OF THIS DRAWING IS THE PROPERTY OF HONEYWELL LTD. THE DRAWING IS SUPPLIED IN CONFIDENCE AND MUST NOT BE USED FOR ANY PURPOSE OTHER THAN THAT FOR WHICH IT IS SUPPLIED.		THIRD ANGLE PROJECTION	SCALE 1:1	DIMENSIONS ARE IN MM/INCHES.	MODIFY ON CAD SYSTEM ONLY